

Available in MONOCHROMATIC light source and dynamic white.

Available in 4 different measures

- Standard 90 cm. • On request 60 - 120 - 150 cm
- Standard fixture colour finishing: grey. Optional white and black.

## TECHNICAL SPECIFICATION (standard 90cm)

### • SOURCE

monochromatic: n. 30 LEDs - 5000K  
 on request: 3000K, 4000K, 6000K white LEDs  
 or red, green, blue, amber)  
 white balance: n. 15 (2900K) warm white LEDs  
 n. 15 (6000K) cool white LEDs  
 Total out lumen: 12000lm  
 Total light power: 90W

### • OPTIC

8°, 15°, 25°, 40°, 60°, 10x30° (38mm lenses)

### • TILT

Manual 160°

### • CONTROL

- monochromatic: none  
 - Dynamic white:  
 Standard interface: RS-485  
 Protocol: USITT DMX 512

### • CONNECTIONS

- monochromatic: none  
 - Dynamic white  
 Signal: 4pin IP 67 connector (male-female)  
 possibility to link up to 32 devices in chain  
 Available as accessories:  
 - Wireless DMX receiver  
 Main Power: 3pin IP 67 connector (male-female)  
 possibility to link up to 8 devices at 230V or  
 4 devices at 120V in chain.

### • SAFETY

n. 2 eyebolts for safety chains

### • SETUP AND CONFIGURATION

- monochromatic: none  
 - white balance  
 Control panel with touch technology and led display  
 with flip function or by DRS  
 Dedicated DMX channel for white balance

DMX or Auto mode with Master-Slave function  
 Intelligent temperature control  
 Halogen simulation  
 CYM simulation  
 Flicker-free function  
 Smooth dimming function

### • IP 67 RATING PROTECTION

### • POWER SUPPLY

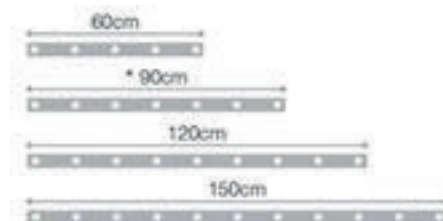
Voltage range: 100-240VAC  
 Frequency range: 47-63Hz  
 Active Power factor:  
 PF>0.94/230VAC, PF>0.98/120VAC  
 Current:  
 0.50A@230VAC, 0.9A@120V  
 Power: 100W  
 Fuse T3,15A

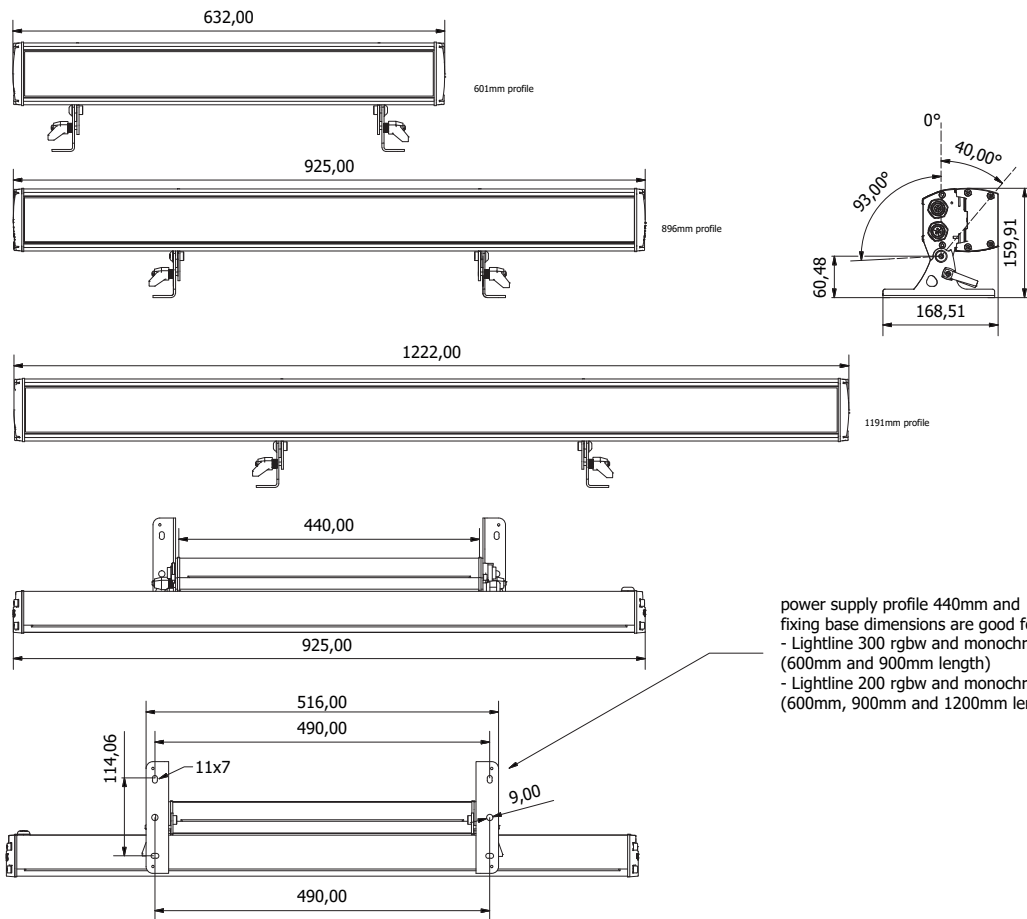
### • DMX CHANNELS

- monochromatic: 3CH and 1CH mode  
 - white balance: 3CH, 2CH and 1CH mode

### • PHYSICAL

WxDxH: 925 x110x93 mm (dimension of profile)  
 Weight: 6 Kg.





Lightline 200 dynamic white  
dimmable monochromatic version

